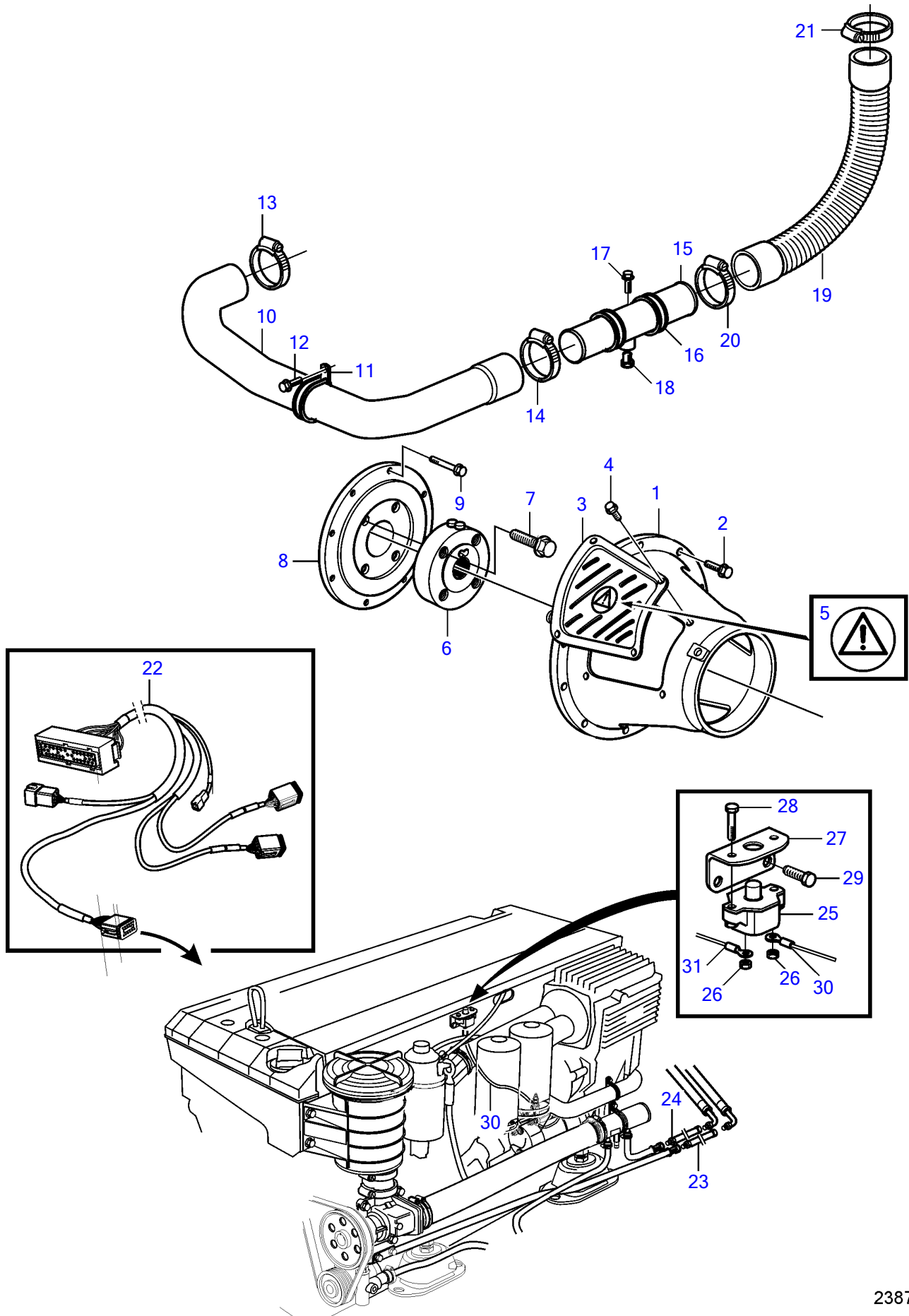


D4-180I-B, D4-180I-C, D4-180I-D, D4-180I-E, D4-210I-A, D4-210I-B, D4-225I-B, D4-225I-C, D4-225I-D, D4-260A-A, D4-260A-B, D4-260A-C, D4-260A-D, D4-260I-A, D4-260I-B, D4-260I-C, D4-260I-D, D4-300A-A, D4-300A-C, D4-300A-D, D4-300I-A, D4-300I-C, D4-300I-D, D4-225A-E, D4-225I-E, D4-260A-E, D4-260I-E, D4-300A-E, D4-300I-E



23875

D4-180I-B, D4-180I-C, D4-180I-D, D4-180I-E, D4-210I-A, D4-210I-B, D4-225I-B, D4-225I-C, D4-225I-D, D4-260A-A, D4-260A-B, D4-260A-C, D4-260A-D, D4-260I-A, D4-260I-B, D4-260I-C, D4-260I-D, D4-300A-A, D4-300A-C, D4-300A-D, D4-300I-A, D4-300I-C, D4-300I-D, D4-225A-E, D4-225I-E, D4-260A-E, D4-260I-E, D4-300A-E, D4-300I-E

REF	PART NO.	QTY	DESCRIPTION	NOTES
1	3817751	1	Protecting casing	
2	946752	14	Flange screw	
3	3862871	2	Protecting screen	
4	968476	8	Flange screw	
5	3817024	2	Decal	
6	3588578	1	Adapter	
7	465826	4	Flange screw	
8	3847980	1	Flexible coupling	Replaced by 21111686
	21111686	1	Flexible coupling	Replaced by 21393521
	21393521	1	Flexible coupling	
9	965186	8	Flange screw	
10	3808508	1	Hose	
11	969354	1	Clamp	
12	946440	1	Flange screw	
13	961671	1	Hose clamp	
14	961672	1	Hose clamp	
15	3808510	1	Dummy	
16	984474	2	Clamp	
17	945444	2	Flange screw	
18	861551	1	Plug	
19	3588788	1	Hose	
20	961672	1	Hose clamp	
21	961671	1	Hose clamp	
22	3808576	1	Wiring harness	EVC-C, L=2.65m
	3808577	1	Wiring harness	EVC-C, L=4.65m
	40005754	1	Wiring harness	EVC-C2
23	3589107	1	Hydraulic hose	Pressure
24	3589106	1	Hydraulic hose	Return
25	856337	1	Automatic fuse, 50A	Trim pump
26		2	• Nut	
27	3808612	1	Support	
28	3853620	2	Hexagon screw	
29	967949	2	Flange screw	
30	3885076	1	Cable	Battery positive, from starter
31		1	Cable	Trim pump